

π

Chair (PI)





PI-GAHS

In today's environment health and well being is a major priority and deserves products that are design specifically with healthy lifestyle. Innovation and ergonomics are our primary focus as you perform your daily activities.





PI-GAMS





PI-AHS

Developed with the quality of your health and life in mind,
we created an innovative, ergonomic chair to help you maintain a neutral posture
and provide you with the ultimate in comfort whether at home or in the office.



PI-AMS



Cored Design I:
Chasing Back Ergonomic Technology
Hug waist and release coccyx pressure at working position



Scientific innovation with 11 Adjustable Locations, incorporated in almost every movement of the human body, Target 5 core areas of ergonomics.

Your core is a complex series of muscles, extending far beyond your abs, including, everything besides your arms and legs. It is incorporated in almost every movement of the human body. These muscles can act as an isometric or dynamic stabilizer for movement, transfer force from one extremity to another, or initiate movement itself. Our design target 5 core areas.

4-Lock Synchronized Tilt Backward Adjustment
Anywhere, Anytime,
Just one click to get right angle position.



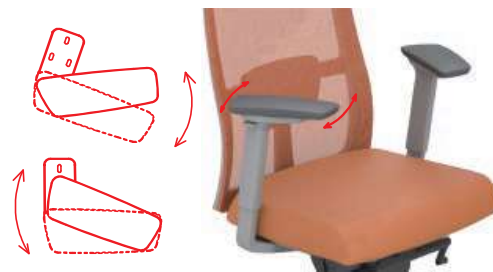
Cored Design II:
Backward Recline Adjustment
Backrest recline resistance strength
can be adjusted, ergonomic
design for all people's need



Depth Adjustable Seat



Height Adjustment



Pivoting Adjustment



Sliding Armpad



Width Adjustment

Statement Of Line

Please reference the PI price list for full statement of line and the complete offering of material options.



Basic Model PI-BMS
3D/2D Armrest
3-Lock/1-Lock
Nylon Seatpad with
Integrated sliding device



Standard Model PI-AMS
3D/2D Armrest
5-Lock with Back/Seat forward tilt
Nylon Seatpad with
Integrated sliding device



Standard Model PI-GAMS
Grey Frame
4D Armrest
5-Lock with Back/Seat forward tilt
Nylon Seatpad with
Integrated sliding device



Basic Model PI-BMSP
3D/2D Armrest
3-Lock with Seat Sliding
Wooden Seat with PP shell bottom



Basic Model PI-BMP
3D/2D Armrest
3-Lock/1-Lock
Wooden Seat with PP shell bottom



Premium Model PI-AMS-N(Mesh Seat)
4D Armrest
4-Lock
Nylon Seat frame with Integrated
sliding device

Headrest Options

Lumbar Options



Uph. PU Headrest



Mesh Headrest



Uph. PU Lumbar



PP Lumbar

Arm Options



4D Grey Adjustable Arm



3D/2D Grey Adjustable Arm



4D Black Adjustable Arm



3D/2D Black Adjustable Arm



Black Fixed Arm with ABS Pad



Black Fixed Arm with Soft PU Pad

Details



Syncro tilt with 3-Lock/1-Lock position



Full Syncro tilt with 5-Lock position Back/Seat with forward tilt.



Full Syncro tilt with 4-Lock position with/without Seat sliding function



Aluminum Polished Base



Grey Nylon Base



Black Nylon Base



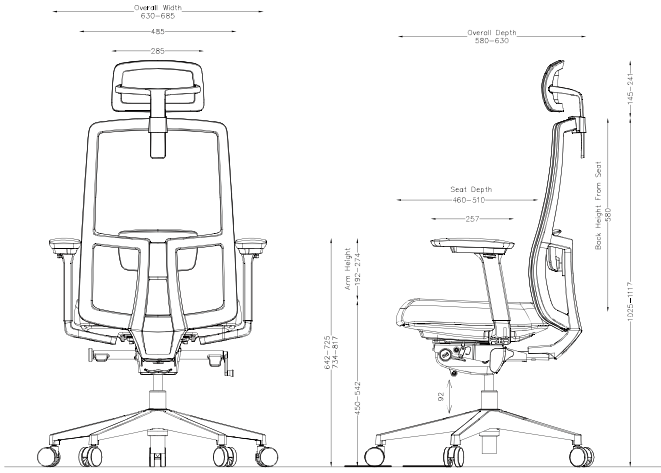
Grey PU Soft Castor



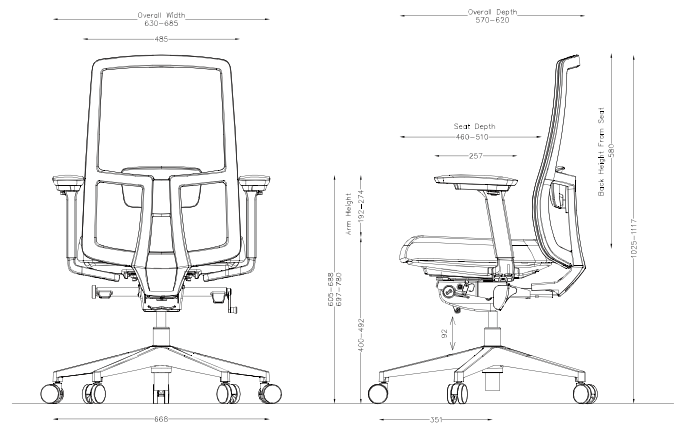
Black PU Soft Castor



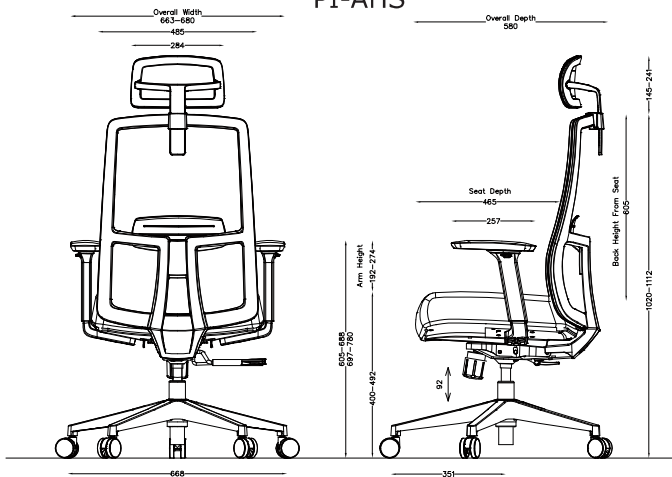
Black Nylon Castor



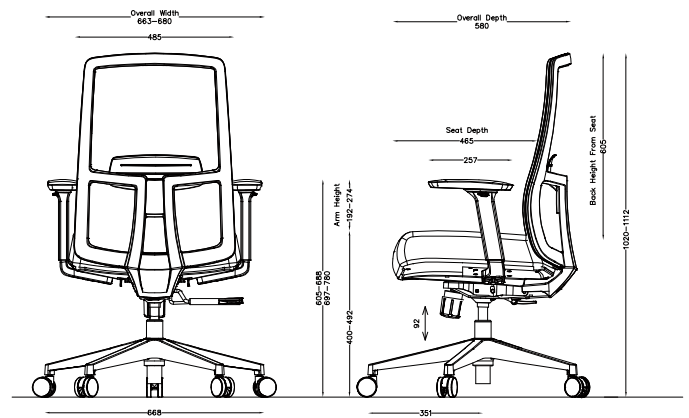
PI-AHS



PI-AMS



PI-BHS



PI-BMS

Mesh For Backrest

MD Series



Fabric For Seat

FH Series



FC Series





IMAGE Furnitech

Find comfort in your daily activities.

Partner with π Chair (PI)

Address:

Imagetech Furniture India Pvt. Ltd.
#3105, 2ND FLOOR, INDIRANAGAR DOUBLE RD,
ESHWARA LAYOUT, INDIRANAGAR,
BENGALURU, KARNATAKA 56000

Email: -sharif@imagefurnitech.com

Contact: +919606813004