

# Surge PDS Series Heavy-Duty

Gas Spring Monitor Arms

Supports monitors up to 49" or  
weights up to 20kg (44lbs)

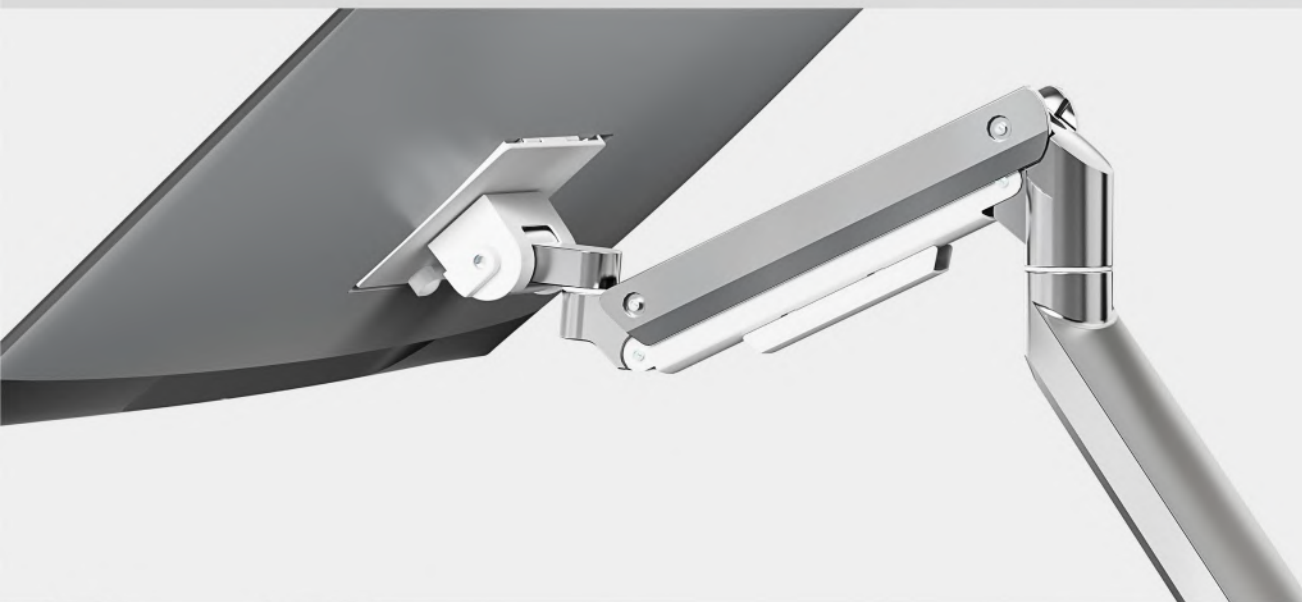


To keep up with the new trend of larger screens, we've designed for monitors up to **49 inches, 20kg (44lbs)**. Sleek appearance adds a touch of elegance to workspace. Combine health, convenience, and décor in one solution.

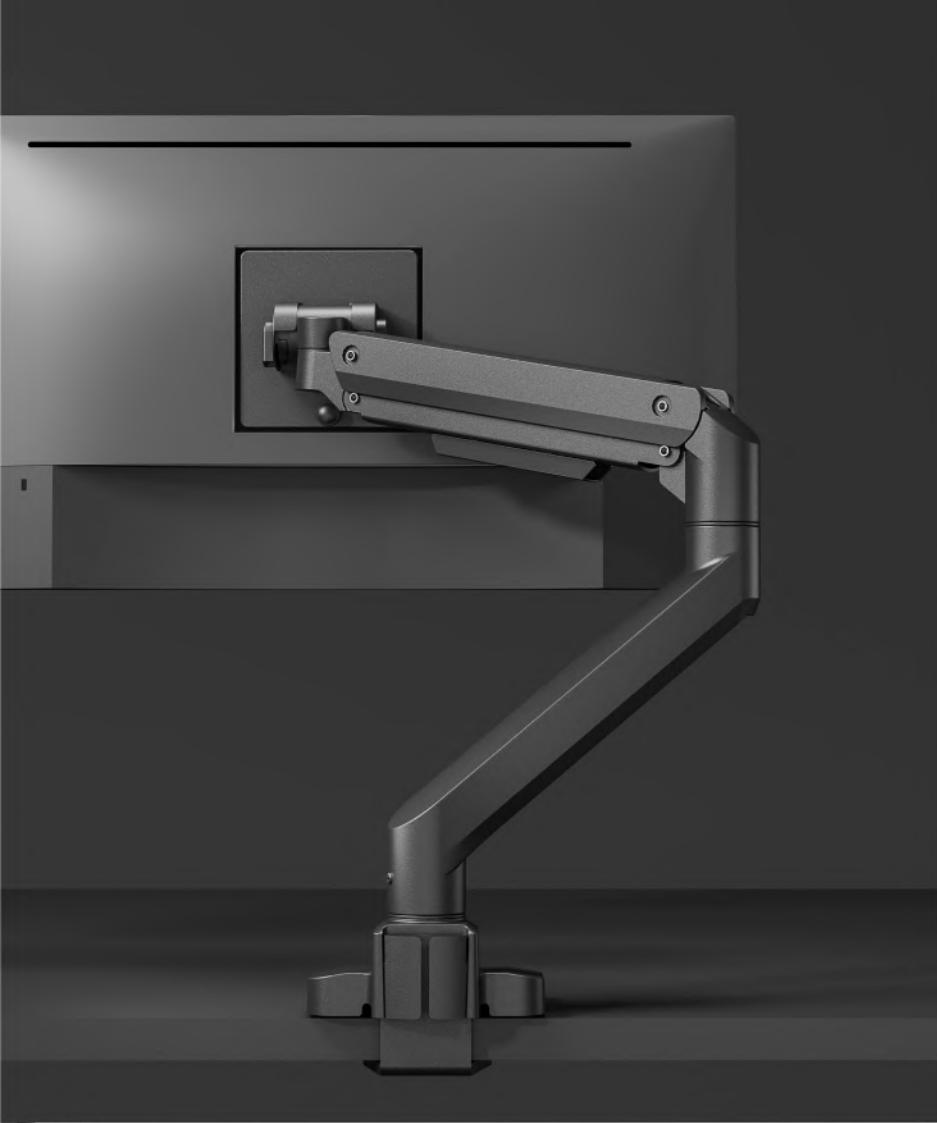


# FOUR

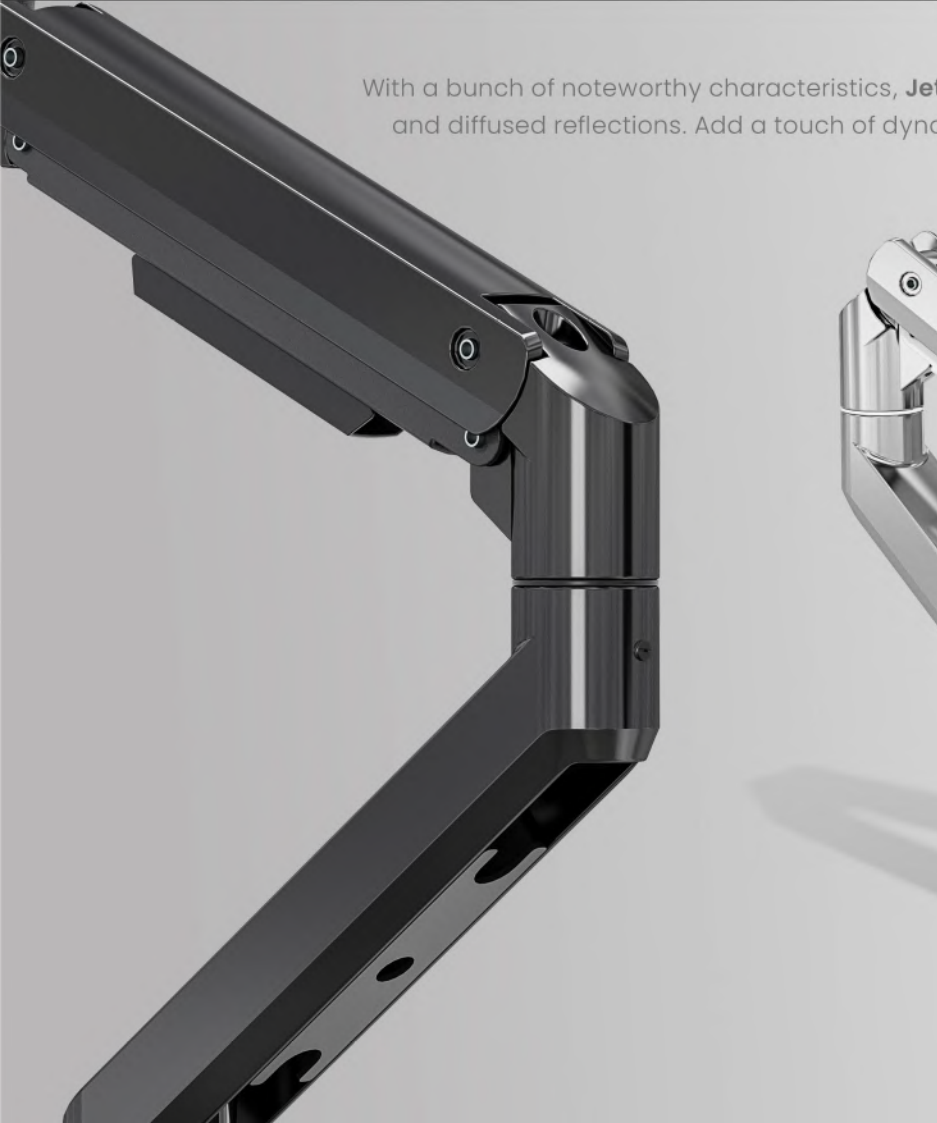
Modern Color options



Escape the ordinary with **Polish Aluminum**. The reflective surface bounces light, making the workspace brighter and more vibrant



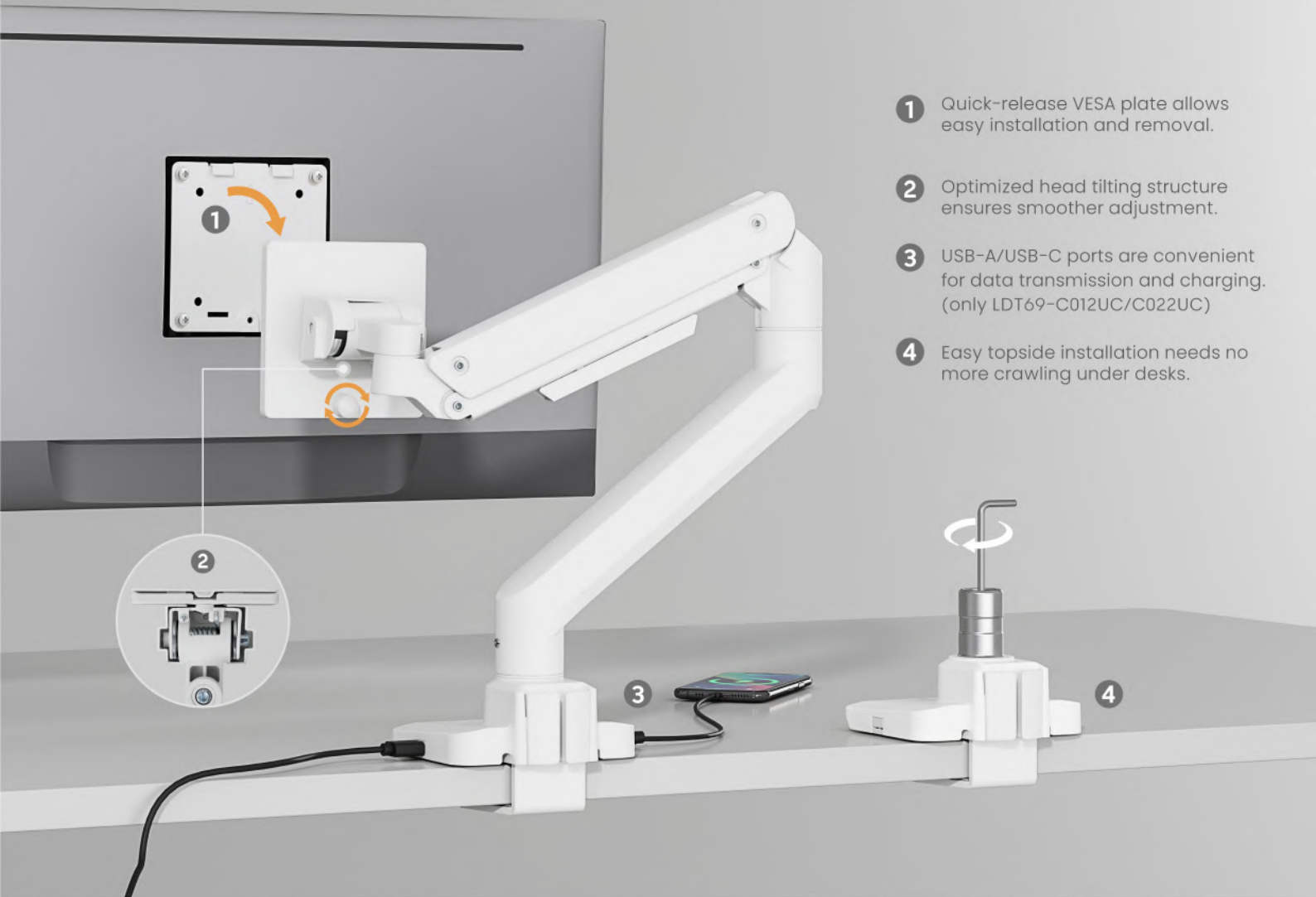
**Fine Texture Black** shows the quiet art of unobtrusive design. Running your hand on the smooth surface is even an excellent experience in itself.



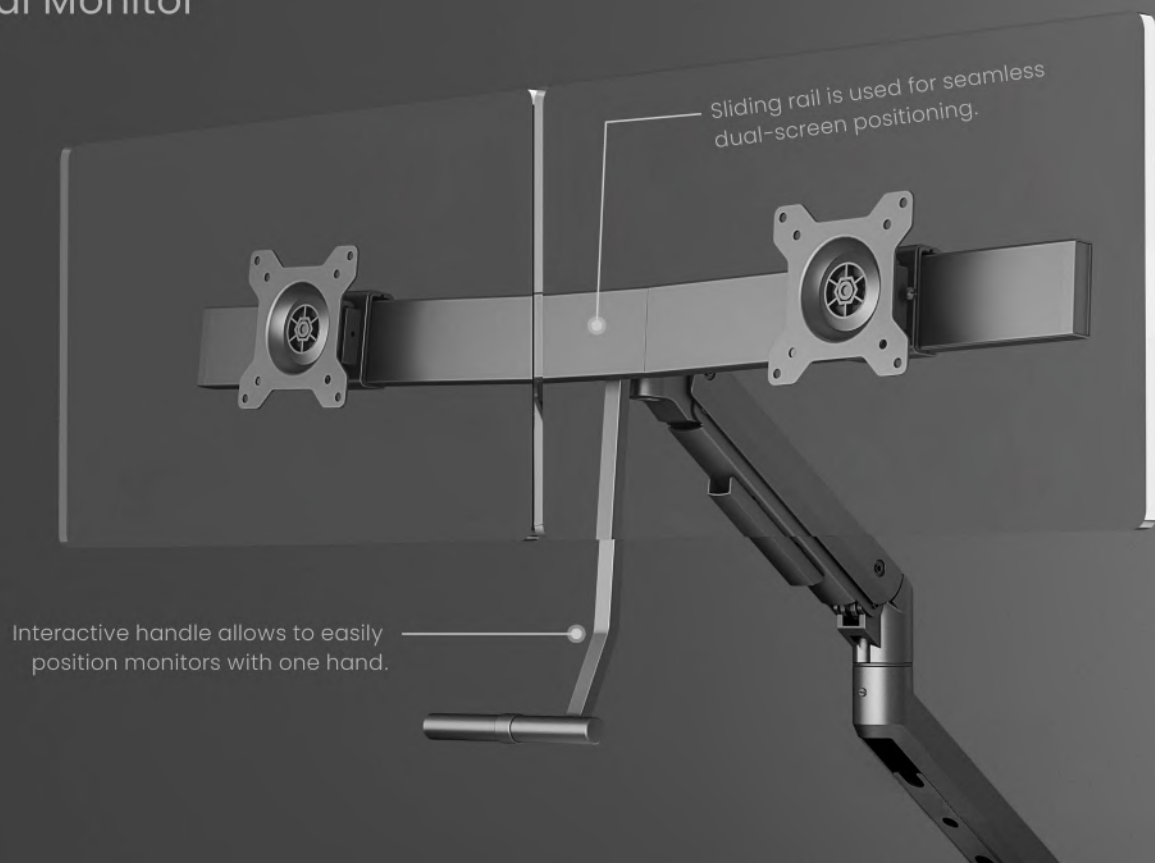
With a bunch of noteworthy characteristics, **Jet Black** has a high-gloss finish and diffused reflections. Add a touch of dynamic vibe to the workplace.



## Single Monitor



## Dual Monitor



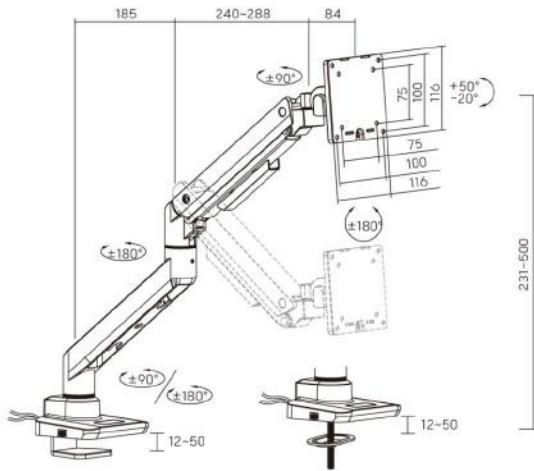
# Desk and Wall Mounted Heavy-Duty Gas Spring Monitor Arms

## Desk Mounted

Dimensions (mm)

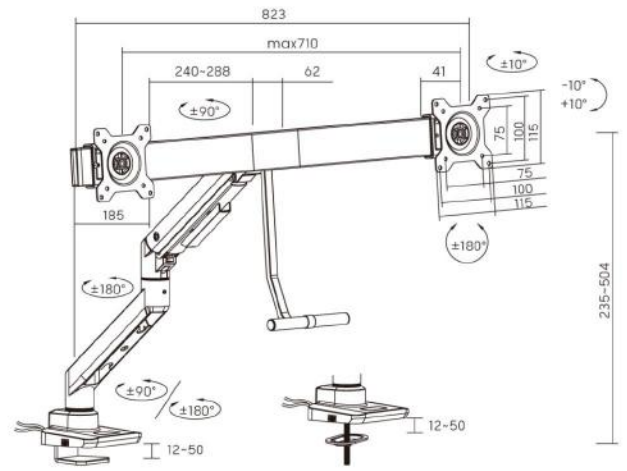
### Surge - 012

**Surge - 012UC** with USB-A & USB-C Ports



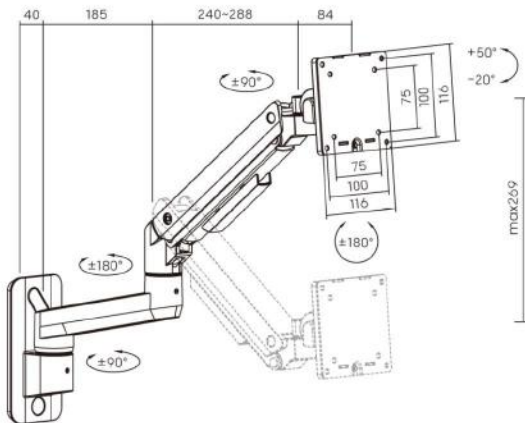
### Surge - 022

**Surge - 022UC** with USB-A & USB-C Ports

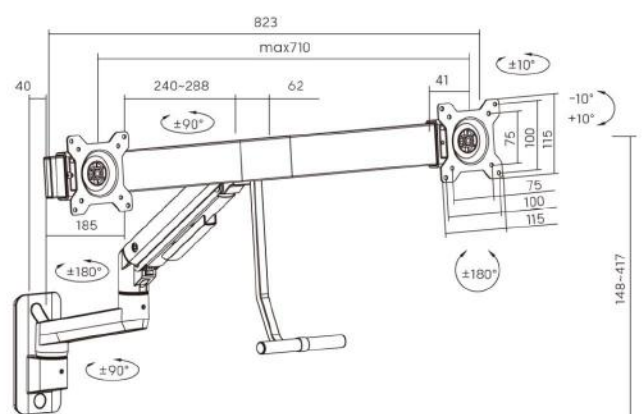


## Wall Mounted

### Surge - 1112



### Surge - 2112

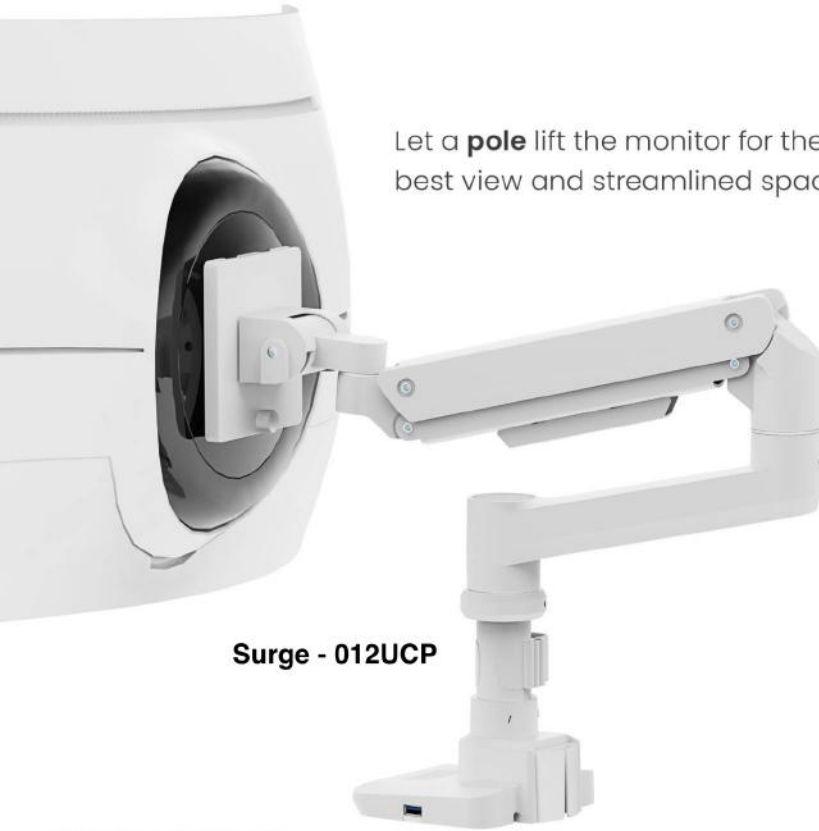


Item No.	Surge - 012 / 012UC / 1112	Surge - 022 / 022UC / 2112
Fit Screen Size	17" ~ 49"	17" ~ 32"
Weight Capacity (per screen)	2~20kg (4.4~44lbs)	1~9kg (2.2~19.8lbs)
Tilt Range	+50°~-20°	+10°~-10°
Swivel Range	+90°~-90°	+10°~-10°
Screen Rotation	+180°~-180°	+180°~-180°
Material	Aluminum, Steel, Plastic	Aluminum, Steel, Plastic

Color:

# Pole Mounted Heavy-Duty Gas Spring Monitor Arms

Let a **pole** lift the monitor for the best view and streamlined space.



**Surge - 012UCP**



**Surge - 022P**

## Pole Mounted

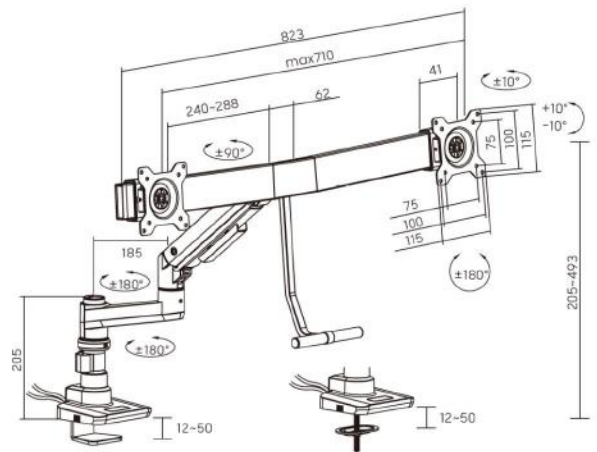
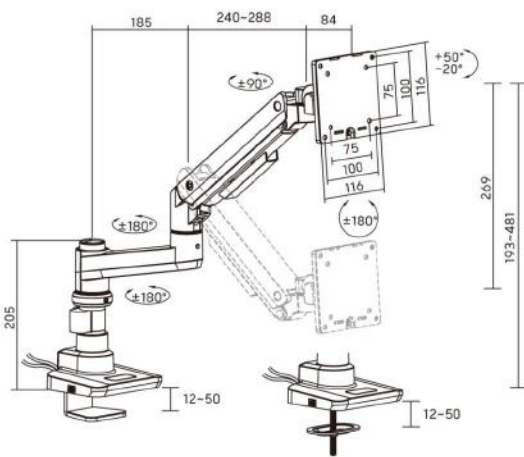
Dimensions (mm)

**Surge - 012P** For Single Monitor

**Surge - 012UCP** For Single Monitor With USB-A & USB-C Ports

**Surge - 022P** For Dual Monitor

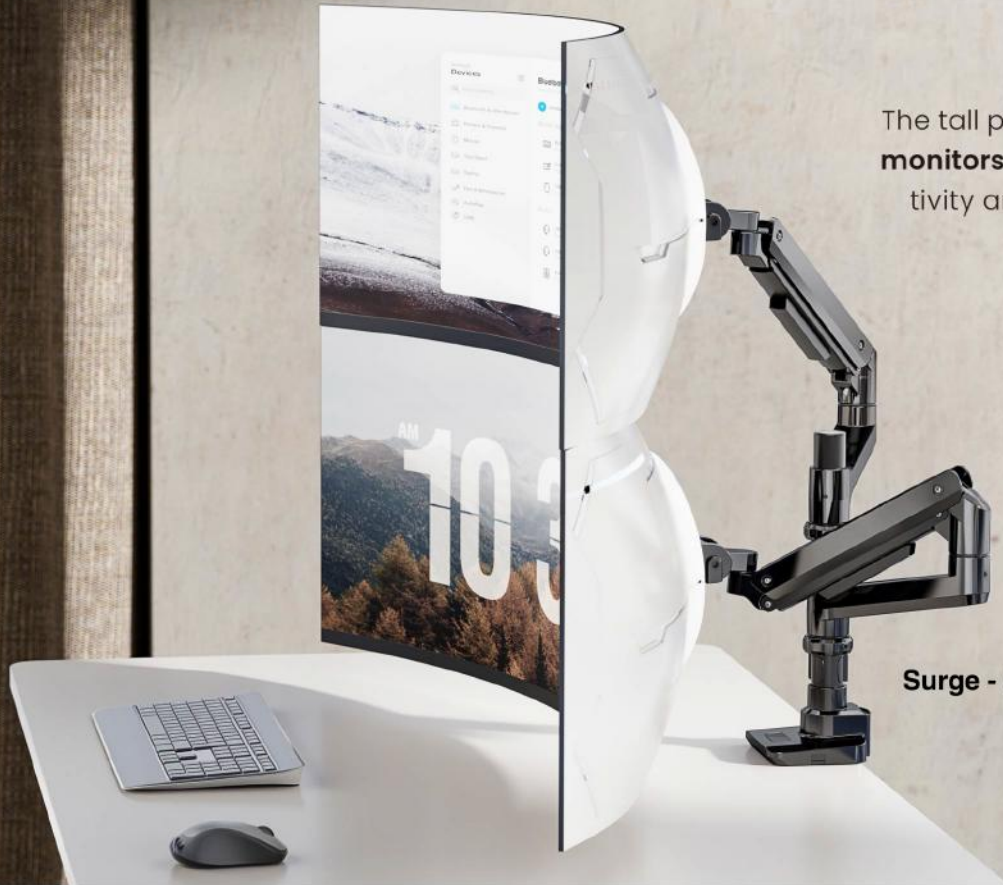
**Surge - 022UCP** For Dual Monitor With USB-A & USB-C Ports



Item No.	Surge - 012P / 012UCP	Surge - 022P / 022UCP
Fit Screen Size	17" ~ 49"	17" ~ 32"
Weight Capacity (per screen)	2~20kg (4.4~44lbs)	1~9kg (2.2~19.8lbs)
Tilt Range	+50° ~ -20°	+10° ~ -10°
Swivel Range	+90° ~ -90°	+10° ~ -10°
Screen Rotation	+180° ~ -180°	+180° ~ -180°
Material	Aluminum, Steel, Plastic	Aluminum, Steel, Plastic

Color: 

## Pole Mounted Heavy-Duty Gas Spring Monitor Arms



The tall pole allows to **stack two monitors** for enhanced productivity and ergonomic comfort.

Surge - 024P

Designed for **side-by-side** monitors positioning and low-angle views.



Surge - 024P2

The combination of **monitor and laptop** saves more space and helps work in healthier postures.



Surge - 024P - ML



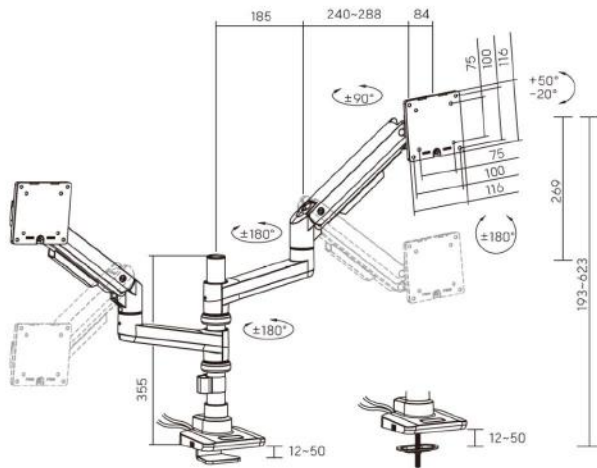
# Pole Mounted Heavy-Duty Gas Spring Monitor Arms

## Pole Mounted

Dimensions (mm)

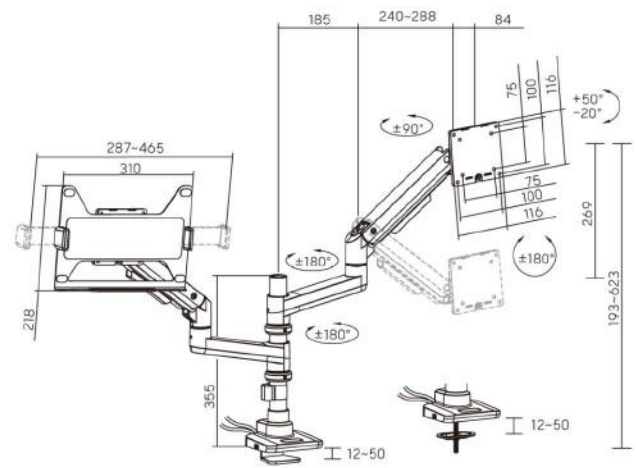
**Surge - 024P** For Dual Monitor

**Surge - 024UCP** For Dual Monitor  
With USB-A & USB-C Ports



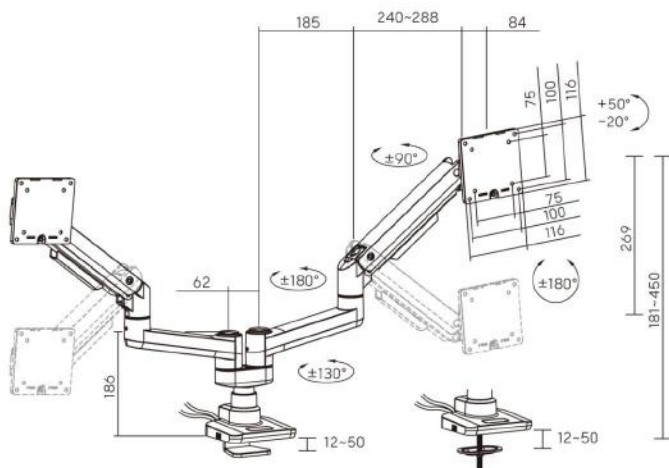
**Surge - 024P - ML** For Single Monitor & Laptop

**Surge - 024UCP - ML** For Single Monitor & Laptop  
With USB-A & USB-C Ports



**Surge - 024P2** For Dual Monitor

**Surge - 024UCP2** For Dual Monitor  
With USB-A & USB-C Ports



Item No.	Surge - 024P / 024UCP	Surge - 024P-ML / 024UCP-ML	Surge - 024P2 / 024UCP2
Fit Screen Size	17"~ 49"		17"~ 35"
Weight Capacity (per screen)	2~20kg (4.4~44lbs)		2~20kg (4.4~44lbs)
Laptop Weight Capacity	/	9kg (19.8lbs)	/
Tilt Range	+50°~-20°		+50°~-20°
Swivel Range	+90°~-90°		+90°~-90°
Screen Rotation	+180°~-180°		+180°~-180°
Material	Aluminum, Steel, Plastic		Aluminum, Steel, Plastic

Color:

# Clientele



## MALAYSIA

No.5, Jalan P6/4, Bandar Teknologi Kajang,  
Semenyih, Selangor, Malaysia  
+80 387 2769 28  
info@imagefurnitech.com



## THAILAND

15/46, Lamlukka 23, Lamlukka Rd., Khukhot,  
Pathumthani, 12130 Thailand  
+66 2035 7028-29  
sales@imagefurnitech.com



## SINGAPORE

1 Magazine Road 04-11 Centrall Mall,  
Singapore  
+65 9784 3081  
enquiry@imagefurnitech.sg



## INDONESIA

Ruko Solvang Arcade, Blok Mission Drive  
No.22-23 Gading Serpong, Pekulonon Barat,  
Kelapa Dua, Tangerang, Banten 15810, Indonesia  
+62 21 5568 0630



## INDIA

#3105, 2nd Floor, Indiranagar Double Rd,  
Eshwara Layout, Indiranagar, Bengaluru,  
Karnataka 560008, India  
+91 9606813004  
sharif@imagefurnitech.co,



Morgan Stanley